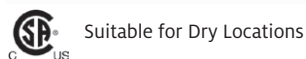


LINETIK
Pendant Luminaire

- Minimalist direct / indirect pendant luminaire with ultra slender design, 1" X 1"
- Innovative electrical solution for power feed via suspension cords
- Reflector with faceted surface, evenly vacuum coated with highly reflective ultra-premium aluminum
- UGR < 16

DELIVERED LUMENS	COLOR TEMPERATURE	COLOR RENDERING	WATTS
5990 lm	3000 K 4000 K	CRI 80+	51 W



Order Code

LINETIK	PD	3	4	5	6
----------------	-----------	---	---	---	---

- | | | |
|---|-----------------|---|
| 1 | FIXTURE | LINETIK Linetik |
| 2 | MOUNTING | PD Pendant |
| 3 | LED MODULE | 830 80 CRI 3000K 840 80 CRI 4000K |
| 4 | FINISH | WHS White Housing – Silver Frame BKB Black Housing – Black Frame SRS Silver Housing – Silver Frame |
| 5 | DRIVER MOUNTING | SM Surface Mount ¹ TG Remote Recessed FE Sheetrock |
| 6 | CONTROL OPTIONS | DD DALI ² DU 0-10V (Class 2 Dimming Only) |

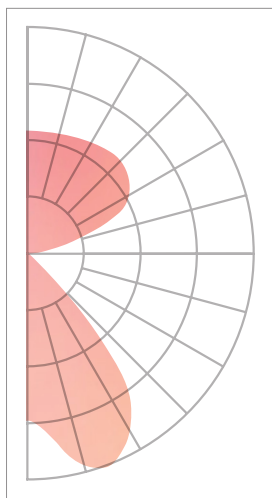
1 Surface mounted driver box color will match luminaire housing color.
2 For separate switch function DALI driver must be ordered.

Accessories

Connector Set Black	22171384	LINETIK D/I C MOUNT SET BK
Connector Set Silver	22171383	LINETIK D/I C MOUNT SET SR
Connector Set White	22171385	LINETIK D/I C MOUNT SET WH



Light Distribution

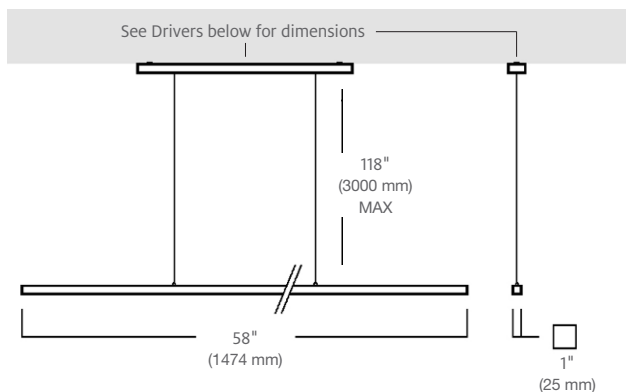


Indirect/Direct Ratio
65:35

— Average Luminance cd/m^2 —

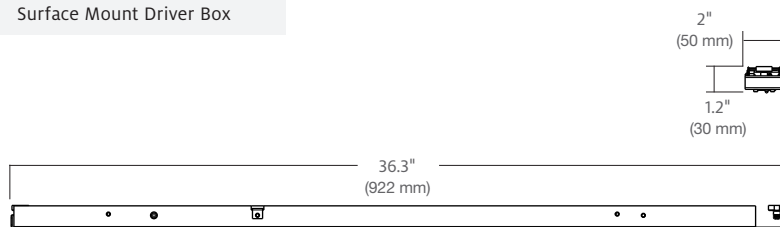
Vertical Angle	Horizontal Angle 0°
45	1392
55	751
65	437
75	238
85	706

Dimensions

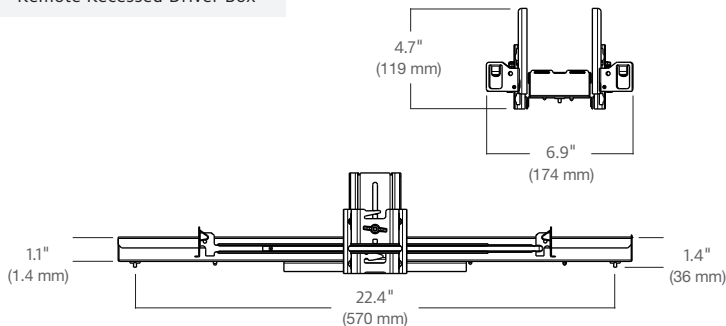


Drivers

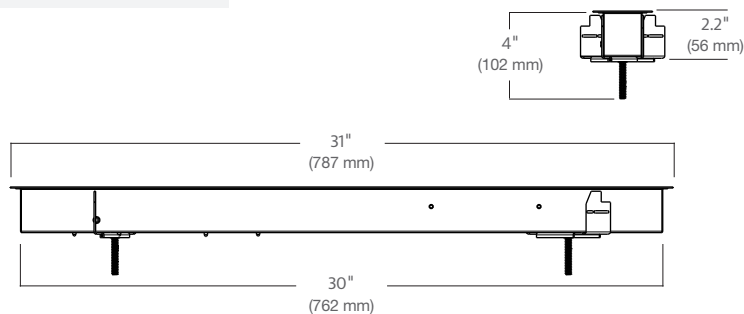
Surface Mount Driver Box



Remote Recessed Driver Box



Sheetrock Driver Box



Technical Detail

1) Construction: Luminaire housing made of square-edge extruded aluminum with a cross-section of 1" X 1". Invisible screw-fitted die-cast aluminum end-pieces painted in luminaire color in white, black or silver. Luminaire contains halogen-free wiring.

2) Wattage and CCT: Unit is available as 69 W in 3000 K, and 4000 K with CRI 80+. 3-Step MacAdam Ellipse.

3) Power: Feed-in via suspension cords. 120/277V.

4) Dimming: Class 2 dimming only.

5) Optic: Control light via micro-reflector made of high quality composite material. Indirect light control via special optic with wide, uniform light distribution. Reflector with faceted surface evenly vacuum coated with highly reflective ultra-premium aluminum. Reflector frame in black or silver.

6) Length: The fixture is 58" in length.

7) Mounting: External suspension points.

8) Connector Set: 2X mechanical connector available in black, silver or white to mechanically link two individual LINETIK pendant luminaires. Weight: 14 ounces.

9) Life: 50,000 hours rated life. L80.

10) Weight: 11 lbs